

# Vanity Maintenance Guide

## Vanity Cleaning & Care Guide

### What kind of products should be used for glass tops?

Any cleaning solutions that do not leave streaks.

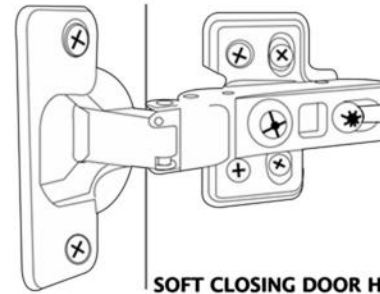
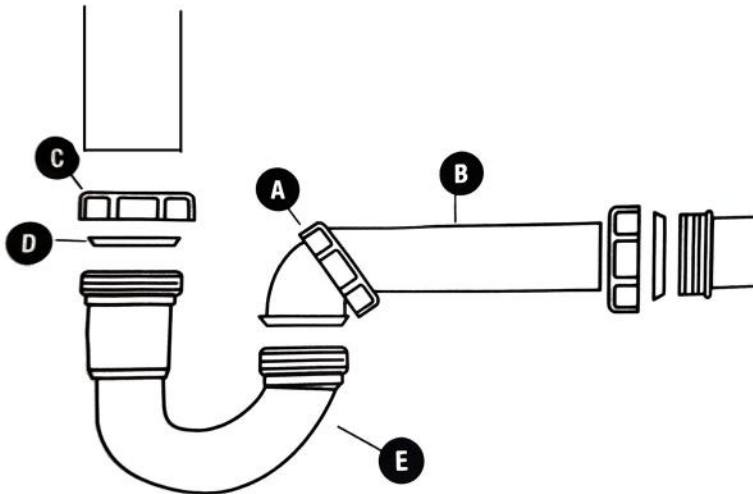
### What kind of products should be used for stone tops?

Any natural stone polish or cleaner can be used to wipe down the countertops.

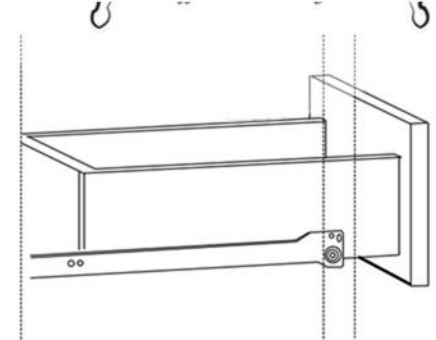
### What kind of products should be used for vanity cabinets?

Any wood cleaning solution should be fine. (i.e. Pledge)

- Ⓐ - Nut   Ⓑ - Wall Tube   Ⓒ - Nut  
Ⓓ - Tailpiece   Ⓔ - J-Bend



SOFT CLOSING DOOR HINGE



SOFT CLOSING DRAWER SLIDES

## SOFT CLOSING HINGES & SLIDES

All vanity cabinets stocked by TheTubConnection.com include soft closing door hinges and drawer slides.

### What this means:

-Our hinges and drawer slides act as a buffer to slow your door or drawer down and finishes closing them gently. This keeps your drawers and doors from slamming shut, which greatly extends the life of your cabinet!

-These cleaning and maintenance tips will help keep your cabinet looking and working great for years to come.

### GLASS TOPS/SINKS

-Use of gloves is highly recommended.

-Glass counter tops and sinks have a frosted coating on the bottom. DO NOT attempt to clean this off. Attempting to clean this can leave an uneven coating and disturbs the visual appeal.

CONTACT US:  
Cambridge-Plumbing.com  
TOLL FREE: 866-448-8827  
Sales@Cambridge-Plumbing.com