

Before beginning, read the instructions below and follow all local plumbing and building codes.

For this installation of your new water lines it is presumed that the water supply lines are underneath the floor and are in direct access for water line installation.

Two rounded holes, 1-1/2" in diameter, will provide access to the water supply lines when installing the water lines. The distance between the mounting location to the water supply lines should be approximately 4-7"

Unpack and inspect your new water lines for any shipping damages and ensure no pieces are missing.

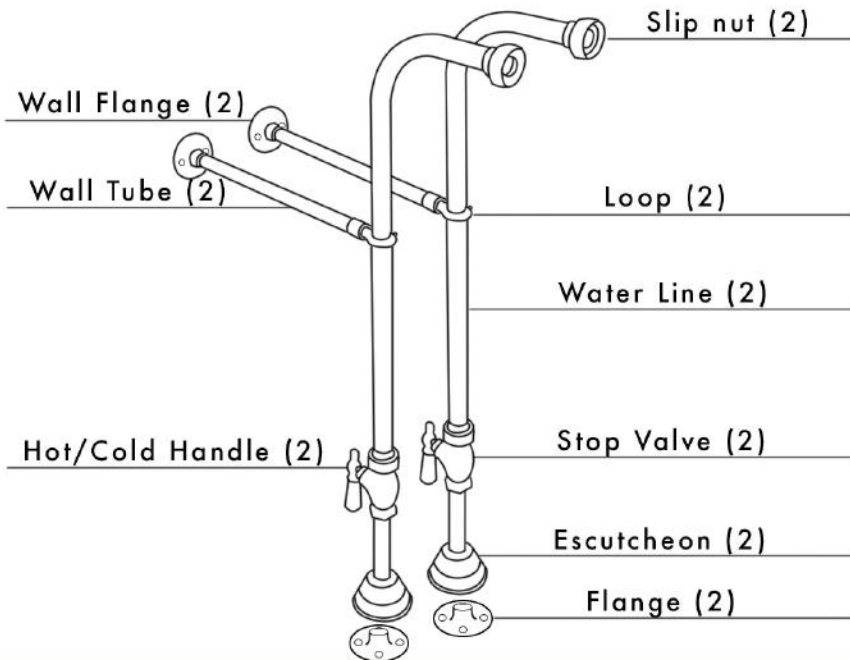
If any damages are discovered DO NOT INSTALL.

**SHUT OFF ALL WATER SUPPLY AT THE TUB WHEN INSTALLING WATER LINES**

Please contact customer service at 1(866)448-Tubs. You may also call our customer service for any other assistance with our products.

### TOOLS AND MATERIALS NEEDED :

Adjustable Wrench	Plumber's Tape	Level	Screwdriver
-------------------	----------------	-------	-------------



It is always advised to place plumber's tape on all threaded areas.

1. Upon opening the waterlines, you'll notice the lines are put together with a 7 1/2" nipple already attached. There will be three other nipples that are 3", 6", and 9". Depending on your installation you may need to switch the nipple to adjust the water lines height. Attach the desired length nipple to the water supply in the floor. Locate the flange with four screw locations and slide it down the nipple and secure to the floor. Tighten the bolt on the flange to further secure the nipple. Cover the connection with an escutcheon.

2. Next, taking the stop valve and water line, thread them onto the nipple that you've just secured.

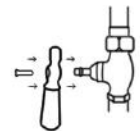
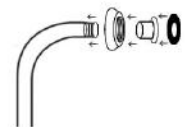
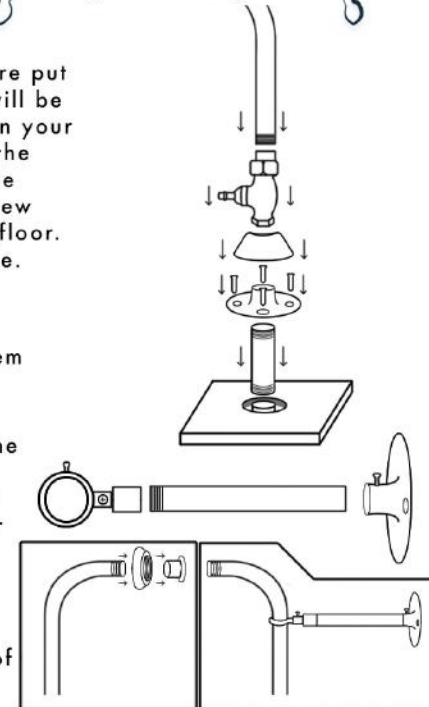
3. Locate the wall flange, wall tube, and loop. Thread the loop onto the threaded end of the tube and place the opposite end into the wall flange and tighten the bolt in the wall flange to secure the wall tube. This creates your wall attachment. Depending on your installation some cutting may be needed if the wall tube is too long.

At the top of each water line is a slip nut and its connector. Remove these and slip the loop of the wall attachment down the water line to just below the curve of the line and secure the wall attachment to the wall.

4. Reattach the slip nut and connector. In the supply bag given are two smaller black rubber washers, place one of the washers into each slip nut.

5. Take the HOT and COLD faucet handles and attach them to the stop valve on the correct sides. A bolt will be provided in the handles bags to tighten the handles down.

6. Go through and level your faucets before fully installing the faucet. If adjustments need to be made, the small bolts on the floor flange can be loosened to make slight movements and then retightened in the fixed position.



**CONTACT US:**

[TheTubConnection.com](http://TheTubConnection.com)

TOLL FREE: 877-795-5684

[Sales@TheTubConnection.com](mailto:Sales@TheTubConnection.com)