

150 Freestanding Faucet



Before beginning, read the instructions below and follow all local plumbing and building codes.

For this installation of your new freestanding faucet it is presumed that the water supply lines are underneath the floor and are in direct access for faucet installation.

A rounded hole, 1-1/2" in diameter, will provide access to the water supply lines when mounting the faucet. The distance between the mounting location to the water supply lines should be approximately 2 - 2 1/2"

Unpack and inspect your new faucet for any shipping damages and ensure no pieces are missing.
SHUT OFF ALL WATER SUPPLY LINES AT THE TUB WHEN INSTALLING NEW FAUCET

If any damages are discovered DO NOT INSTALL and contact customer support at 877-795-5684. You may also call our customer service for any other assistance with our products

TOOLS AND MATERIALS NEEDED :

Level	Drill	Adjustable Wrench	Plumber's Tape
-------	-------	-------------------	----------------

It is always advised to place plumber's tape on all threaded areas.

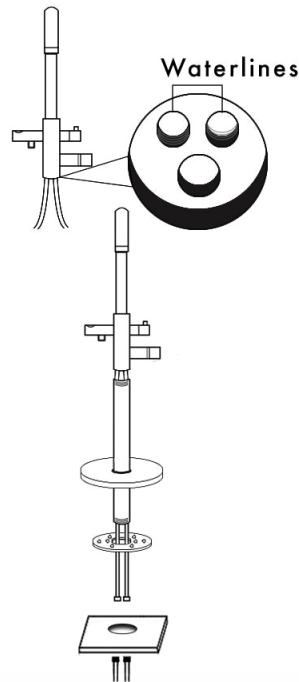
1. Locate the spout of the faucet and the two waterlines. Place Plumber's tape on the threads and attach the waterlines to the bottom of the spout. Tighten the waterlines with your hands only, using pliers may damage the line.

2. Now, slide the waterlines through the faucet body and thread the body onto the spout.

3. Slide the escutcheon onto the faucet body.

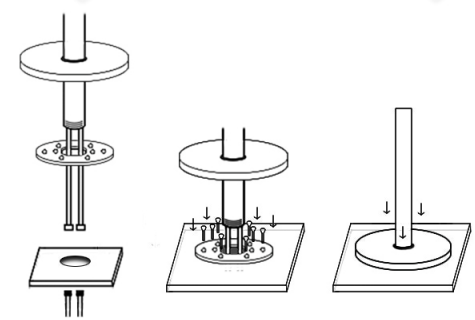
4. Thread the mounting plate onto the bottom of the faucet body.

5. Connect the waterlines from the faucet to the waterlines in the floor.

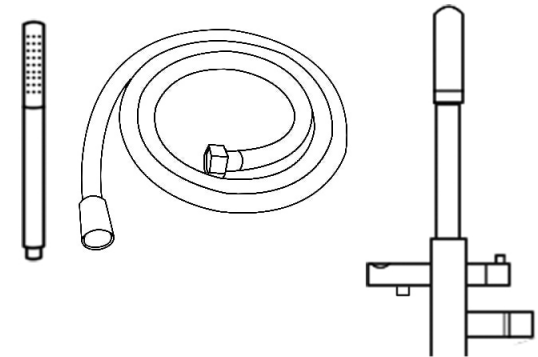


***Important Note - The Waterlines in the body of the faucet continue 1ft out of the bottom of the body. Please allow space in subfloor installations.**

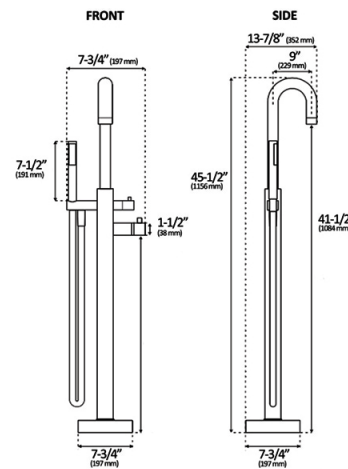
6. Center the faucet with the water line hole in the floor. Using the screws and plastic anchors, secure the mounting plate to the floor. Cover the mounting plate by sliding down the escutcheon.



7. Connect the shower wand and shower hose together. Then connect the hose to the faucet.



8. Once fully installed, turn on your water supply and test your brand new faucet. Testing that the hot/cold and shower wand all have proper water flow.



CONTACT US:
 TheTubConnection.com
 TOLL FREE: 877-795-5684
 Sales@TheTubConnection.com